



V2212 VOLUME CONTROL AND SOURCE SELECT MODULE

V2212

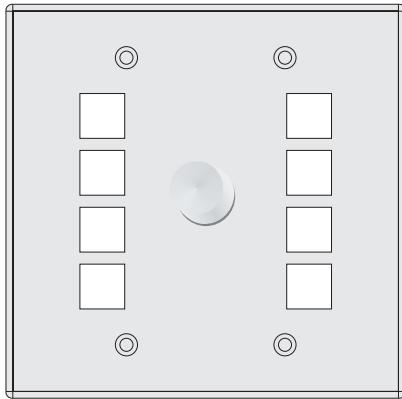


Figure 1: V2212 volume control and source select module

Description

The volume control and source select module V2212 is a VARIZONE DSS bus component allowing for various manual operations. The V2212 is equipped with 8 push buttons and a rotary encoder / push button. The assignment of individual functions to the push buttons and the rotary encoder / push button is carried out via the media control software. Possible use of the push buttons and the rotary encoder / push button could be the following:

- Channel or zone selection via the push buttons
- Volume control of the selected channel(s) or zone(s) via the rotary encoder / push button

The volume control and source select module is installed via a 2-gang NEMA wall fastening enclosure. The NEMA wall fastening enclosure is not included in delivery.

The installation of the DSS bus components can be carried out via CAT5 cables and RJ-45 connectors.

Features

Model	Cable	Connector
V2212	CAT5	RJ-45 connectors

- 8 push buttons, individually re-legendable, illuminated
- 1 rotary encoder / push button
- Assignment of customized functions to the push buttons and the rotary encoder / push button via the control management software
- DIP switch for module addressing
- Power supply of the volume control and source select module via the DSS bus
- Installation via a 2-gang NEMA wall fastening enclosure

Specifications

V2212

Connectors	2 x RJ-45 connectors, 8-pin female, for DSS bus input and output
DIP switch	DIP switch with 8 switches for manual address setting
Push buttons	8 push buttons with red LED, 12.7 x 12.7mm, individually programmable and re-legendable
Rotary encoder/push button	1 rotary encoder / push button, Ø 23 mm, height 17mm, black plastic knob, individually programmable
Supply voltage	48V typ., 28V min., 55V max., supplied via the DSS bus
Power consumption	3Watts
Termination	100Ω
Ambient temperature limits	0° C min., 50° C max. for the operation of the device
Dimensions	Depth: <ul style="list-style-type: none"> • 67mm / 2.64" (With rotary encoder / push button knob) • 50mm / 1.95" (Without rotary encoder / push button knob) Height: 116mm / 4.5" Width: 116mm / 4.5"
Weight	500 grams typ./1.1 lb

Technology by KLOTZ DIGITAL

Specifications subject to change without notice



1601 JACK MCKAY BLVD. / ENNIS, TEXAS 75119 U.S.A.
TELEPHONE: (800) 876-3333 / FAX (800) 765-3435

AtlasSound.com

Pin Configuration

V2212 (CAT5 / RJ-45)

RJ-45 connector 8-pin, female for the DSS bus input

Pin	Signal
1	RX+ (GND)*
2	RX- (GND)*
3	TX+ (48V)*
4	RX- (GND)*
5	RX+ (GND)*
6	TX- (48V)*
7	TX+ (48V)*
8	TX- (48V)*

*Referring to the module

RJ-45 connector 8-pin, female for the DSS bus output

Pin	Signal
1	TX+ (GND)*
2	TX- (GND)*
3	RX+ (48V)*
4	TX- (GND)*
5	TX+ (GND)*
6	RX- (48V)*
7	RX+ (48V)*
8	RX- (48V)*

* Referring to the module

Specifications subject to change without notice



1601 JACK MCKAY BLVD. / ENNIS, TEXAS 75119 U.S.A.
TELEPHONE: (800) 876-3333 / FAX (800) 765-3435

AtlasSound.com



V 2212 VOLUME CONTROL AND SOURCE SELECT MODULE

V2212

View of operating elements

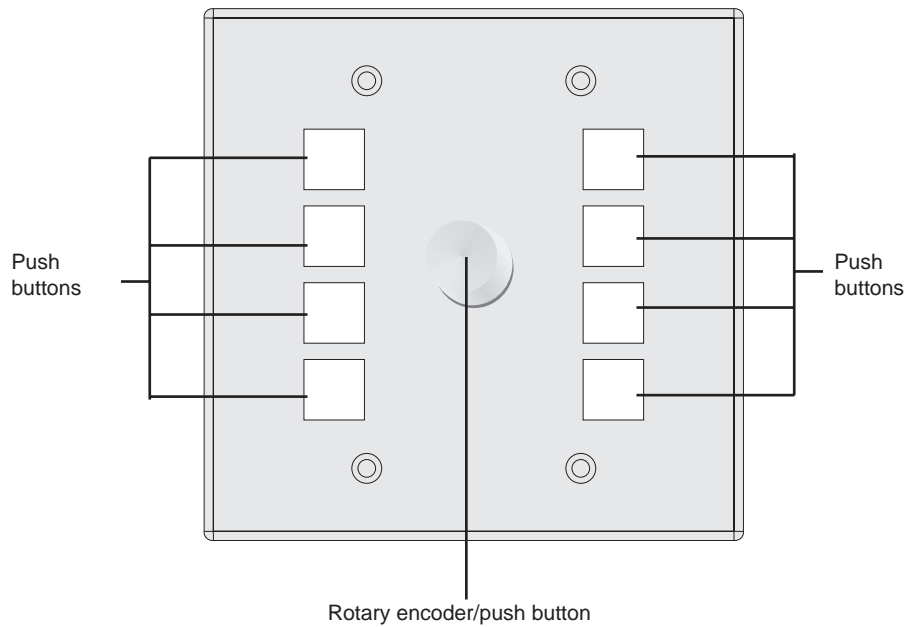


Figure 2: Volume control and source select module V2212, view of operating elements

View of DSS bus installation side

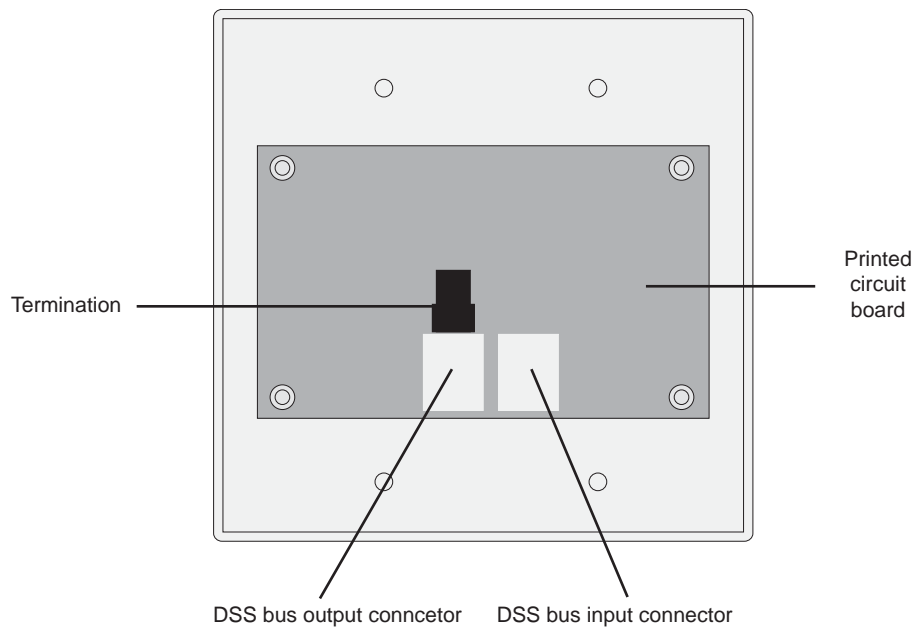


Figure 3: Volume control and source select module V2212, installation side

Technology by **KLOTZ** DIGITAL

Specifications subject to change without notice



1601 JACK MCKAY BLVD. / ENNIS, TEXAS 75119 U.S.A.
TELEPHONE: (800) 876-3333 / FAX (800) 765-3435

AtlasSound.com

Top View

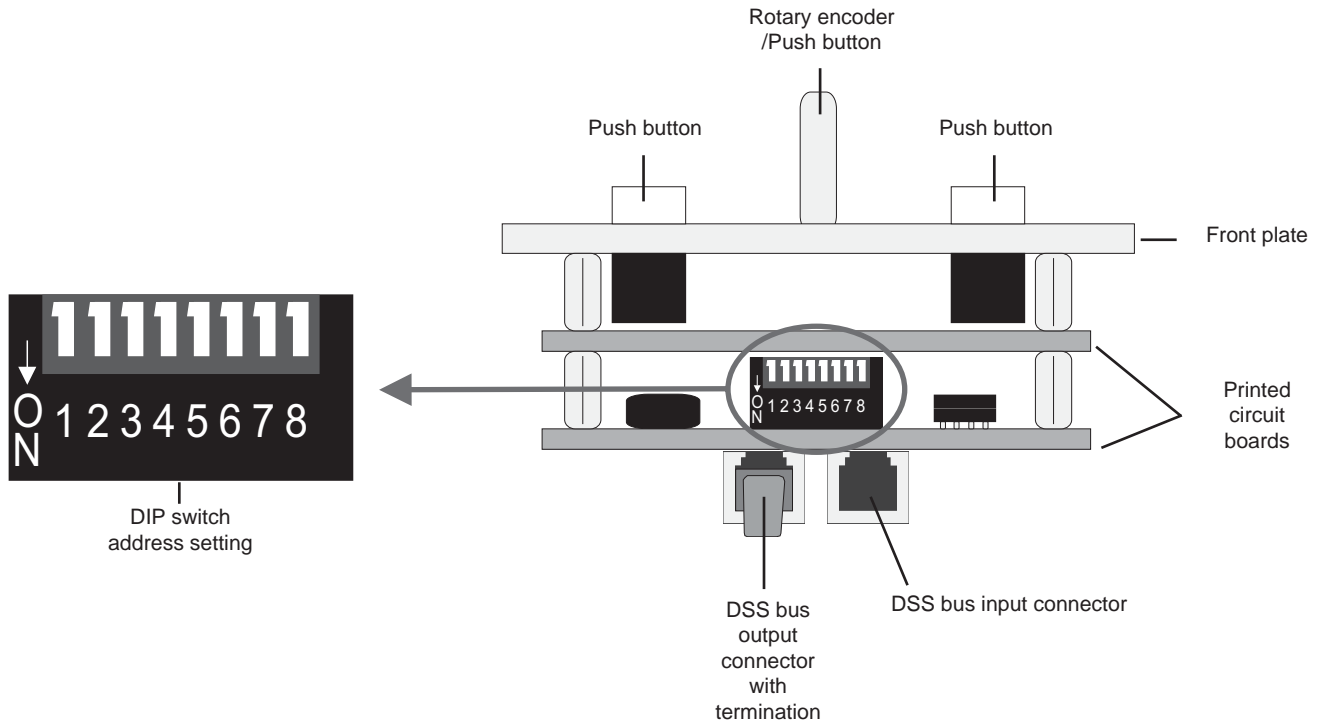


Figure 4: Volume control and source select module V2212, top view

Specifications subject to change without notice



1601 JACK MCKAY BLVD. / ENNIS, TEXAS 75119 U.S.A.
TELEPHONE: (800) 876-3333 / FAX (800) 765-3435

AtlasSound.com