



AMS ANALOG INPUT MODULE 4-CH

V2334

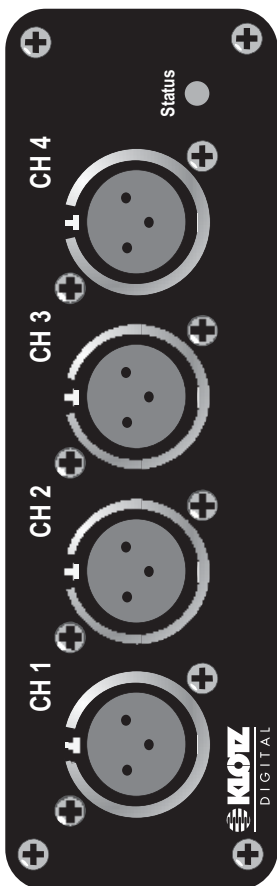


Figure 1: AMS 4-channel analog input module V2334

Description

The 4-channel analog AMS input module V2334 is part of the Varizone audio media system (AMS) bus.

- Collection of up to 4 analog mic/line inputs from external devices such as microphones, CD players, etc.
- Conversion of analog audio input signals into 16/24 bit 48kHz digital signals
- Transmission of 16/24 bit 48kHz digital signals to the proprietary Varizone AMS (audio media system) bus

The V2334 provides 4 individually balanced analog input channels at mic or line level. The input level of each channel is individually adjustable in the VADIS software.

The 4-channel analog AMS input module is powered by an external 24VDC power supply unit (PSU) (not included) or the AMS Bus.

The 4-channel analog AMS input module is installed via an adapter. Two adapter types are available for a cabling via CAT5 cables and RJ-45 connectors or via the european J-Y(ST)Y cable type and screw terminals. Module is available in the following two versions:

- V2334: 4-channel analog AMS input module with an adapter for CAT5 cabling
- V2334/1: 4-channel analog AMS input module with an adapter for J-Y(ST)Y cabling

The V2334 may be installed in the optional 19" rack mount kit model V1570. The V1570 can hold 2 analog AMS input modules.

Features

- AMS bus device
- 4 XLR mic/line input connectors
- Connector for external 24VDC PSU (Atlas model PS24-075 or equivalent) - Not included
- Dip switch for address adjustment
- Integrated AMS bus termination
- 48V phantom power, switchable via the VADIS software
- 16 Bit or 24 Bit resolution, selectable via the VADIS software
- Software adjustable mic/line input level
- Software adjustable high pass filter
- LED to indicate the status of the data stream and the supply voltage
- Optional 19" rack mounting via V1570

Architect & Engineer Specs

The specified AMS bus analog input module shall be the Atlas Sound Varizone model V2334. V2334 shall be capable of accepting and converting (4) analog mic or line level input signals for transmission to the VADIS frame via the AMS bus over CAT5 cabling. Digital audio conversion shall be 16/24 bit @ 48kHz. Each input level (x4) shall be individually controllable by the VADIS software. Power for the V2334 shall be provided by (1) Atlas Sound PS24-75 (or approved equivalent) 24VDC PSU or the AMS bus. Audio input to the V2334 shall be via (x4) XLR female connectors. An adjustable HPF per input channel and 48VDC phantom power for condenser microphones shall be provided. Phantom power and HPF shall be selectable per input via the VADIS software. AMS bus I/O connection shall be via RJ-45. A system status LED shall be provided to show communication condition. Dimensions shall be: 5.2" (132.1mm) D x 1.62" (41.2mm) x H 8.27" (210mm) W Weight shall be 1.54 lbs (700g)

Technology by KLOTZ DIGITAL

Specifications subject to change without notice



1601 JACK MCKAY BLVD. / ENNIS, TEXAS 75119 U.S.A.
TELEPHONE: (800) 876-3333 / FAX (800) 765-3435

AtlasSound.com

Specifications

V2334 and V2334/1

Input channels	4
Connectors	
Front	<ul style="list-style-type: none"> • 4 x XLR panel connector 3-pin, female for the connection of external equipment
Back	<ul style="list-style-type: none"> • 2 x RJ-45 8 pin connectors for connectors to AMS bus (I/O) • Phoenix multipoint panel connector, 3-pin, male, type MSTB 2,5/4-GF-5.08 for the installation of an external PSU
Status LED	<p>Status LED, green, to indicate the following states:</p> <ul style="list-style-type: none"> • The LED blinks if the supply voltage is OK and the PLL is locked. • The LED lights if the supply voltage is OK but the PLL is not locked. <p>The LED remains unlighted if:</p> <ul style="list-style-type: none"> - The module does not receive any supply voltage - The LED indication is deactivated in the software
Supply voltage	18 - 24V, provided by an external PSU, or from AMS bus
Power consumption	7W typ.
Phantom voltage	48V typ.
Sample frequency	48kHz typ., locked to VADIS I/O
Resolution	16/24 Bit, selectable via the software
Sensitivity range	-60 - +16dBu @ mic mode input for 0dBFS, 12dB pad bypassed +16 - +28dBu @ line mode input for 0dBFS, 12dB pad in
Gain setting steps	0.5dB
Input impedance	5.75 k Ω typ. @ mic mode, 12dB pad bypassed 4.2 k Ω typ. @ line mode, 12dB pad in
Common mode voltage range	-10 - +10V @ no signal
Common mode rejection	\geq 80dB typ.
Frequency response	\leq \pm 0.2dB @ 20Hz - 20kHz, -20dBFS

Level deviation	\leq 0.2dB typ. @ 1kHz
High pass filters	80 Hz typ. @ high pass 1, 18dB/octave 120 Hz typ. @ high pass 2, 18dB/octave 160 Hz typ. @ high pass 3, 18dB / octave
Dynamic range	\geq 75dB @ sensitivity = -50dB, 20Hz - 20kHz, RMS \geq 90dB @ sensitivity = -30dB, 20Hz - 20kHz, RMS \geq 95dB @ sensitivity = +8dB, 20Hz - 20kHz, RMSTHD + N \leq -75dB @ sensitivity = -50dB, 20Hz - 20kHz, -1dBuFS, RMS \leq -87dB @ sensitivity = -30dB, 20Hz - 20kHz, -1dBuFS, RMS \leq -90dB @ sensitivity = +8dB, 20Hz - 20kHz, -1dBuFS, RMS
Crosstalk	\leq -100dB typ. @ 20Hz - 20kHz
Termination	<p>Integrated 100Ω termination @ the AMS input and output</p> <p>NOTE: The 90 Ω AMS bus input and output termination for the JY(ST)Y cabling variant is located on the PCB of the appropriate adapter.</p>
Ambient temperature limits	0° C min., 50° C max. for the operation of the device
Dimensions	<p>Depth: 132.1mm / 5.2"</p> <p>Height: 41.2mm / 1.62"</p> <p>Width: 210mm / 8.27"</p>
Weight	1.5 lbs 700 grams typical without adapter

Specifications subject to change without notice



1601 JACK MCKAY BLVD. / ENNIS, TEXAS 75119 U.S.A.
 TELEPHONE: (800) 876-3333 / FAX (800) 765-3435

AtlasSound.com



Pin configuration

XLR panel connectors 3-pin female

Pin	Signal
1	Shield
2	Positive
3	Negative



Pin configuration

I. Pinouts for the installation of a PAM

I.1. DSS bus connectors

I.1.1. CAT5 cabling

RJ-45 connector 8-pin, female for the DSS bus input

Pin	Signal
1	RX+ (GND)*
2	RX- (GND)*
3	TX+ (48 V)*
4	RX- (GND)*
5	RX+ (GND)*
6	TX- (48V)*
7	TX+ (48V)*
8	TX- (48V)*

* Referring to the docking station



RJ-45 connector 8-pin, female for the DSS bus output

Pin	Signal
1	TX+ (GND)*
2	TX- (GND)*
3	RX+ (48 V)*
4	TX- (GND)*
5	TX+ (GND)*
6	RX- (48V)*
7	RX+ (48V)*
8	RX- (48V)*

* Referring to the docking station



Connector 1

Pin	Signal
-----	--------

Connect to the following pins of the male 8-pin Phoenix connector of the docking station for DSS modules

1	LS1- (channel 1)	1
2	LS1+ (channel 1)	2
3	LS2- (channel 1)	3
4	LS2+ (channel 1)	4

Multipoint panel connector 3-pin male for an external 24VDC PSU

Pin	Signal
1	Chassis
2	24VDC

Technology by **KLOTZ**
DIGITAL

Specifications subject to change without notice



1601 JACK MCKAY BLVD. / ENNIS, TEXAS 75119 U.S.A.
TELEPHONE: (800) 876-3333 / FAX (800) 765-3435

AtlasSound.com

Front View

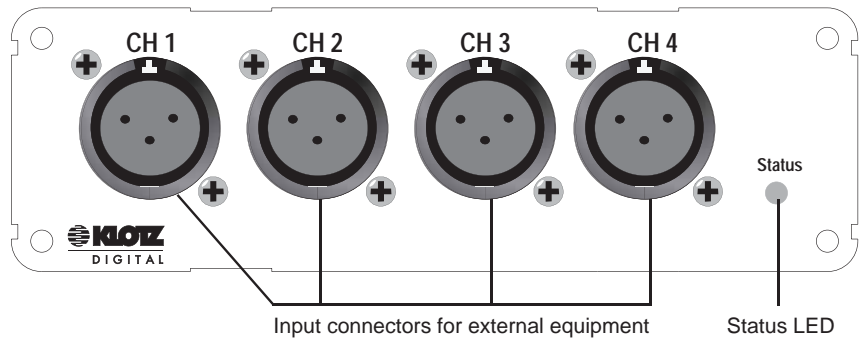


Figure 2: Front view of AMS 4-channel analog input module V2334 with input connectors for external equipment and status LED

Rear View

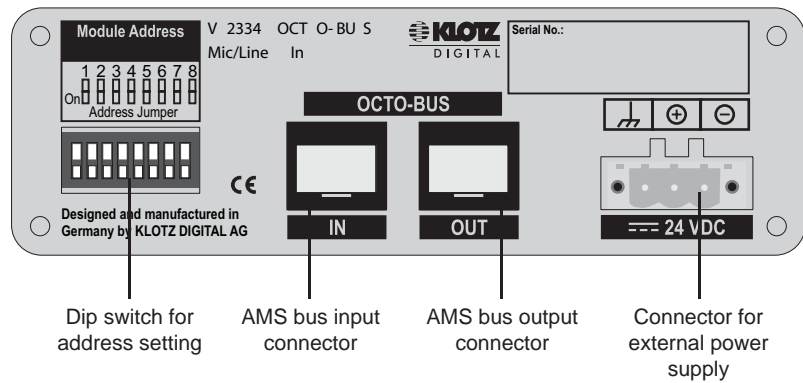


Figure 3: Rear view of AMS 4-channel analog input module V2334 with dip switch for address setting, AMS input and output connectors and external power supply connector

Specifications subject to change without notice



1601 JACK MCKAY BLVD. / ENNIS, TEXAS 75119 U.S.A.
 TELEPHONE: (800) 876-3333 / FAX (800) 765-3435

AtlasSound.com