



AMS ANALOG OUTPUT MODULE 4-CH

V2324

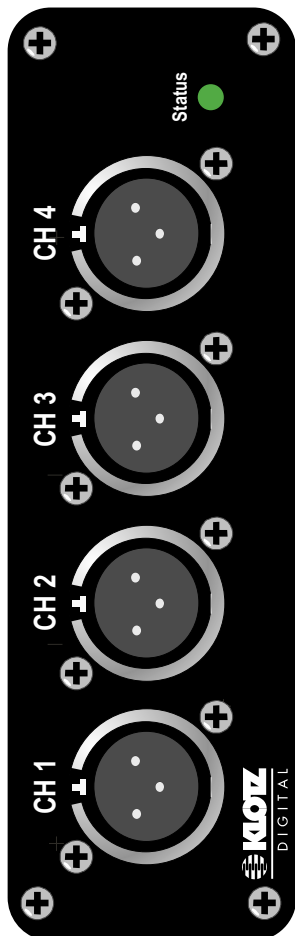


Figure 1: AMS 4-channel analog output module V 2324

Description

The AMS 4-channel analog output module V 2324 is part of the VARIZONE audio media system (AMS) bus and has the following functions:

- Output of up to 4 digital audio signals from the AMS bus
- Conversion of 16/24 bit 48 kHz digital signals into analog output signals
- Output of analog signals to external devices, e.g. to amplifiers to amplify the signals for transmission via speakers

The AMS 4-channel analog output module provides 4 balanced analog output channels. The output level of each channel is individually adjustable in the VADIS software.

The V 2324 is powered by an external 24 V DC power supply unit (PSU not included). Use Atlas PS24-75 or equivalent.

The 4-channel analog AMS output module is installed via an adapter. Two adapter types are available for a cabling via CAT5 cables and RJ45 connectors or via the european J-Y(ST)Y cables and screw terminals. Thus the module is available in the following two versions:

- V 2324: 4-channel analog AMS output module with an adapter for CAT5 cabling
- V 2324/1: 4-channel analog AMS output module with an adapter for J-Y(ST)Y cabling

The V 2324 may be installed in the optionally available 19" rack mounting device V 1570. The V 1570 can hold 2 analog AMS output modules and must be ordered separately.

Main features

- AMS bus device
- 4 XLR output connectors
- Connector for external 24 V DC PSU (Atlas model PS24-075 or equivalent) - not included
- Dip switch for address adjustment
- Integrated AMS bus termination
- 16 Bit or 24 Bit resolution, selectable via the VADIS software
- Software adjustable output level per channel
- LED to indicate the status of the data stream and the supply voltage
- Optional 19" rack mounting via V 1570

A&E Specs

The specified AMS bus analog output module shall be the Atlas Sound Varizone model V2324. V2324 shall be capable of outputting (4) analog line level output signals from the AMS bus. Digital audio conversion shall be 16/24 bit @ 48 kHz. Frequency response shall be $< + 0.2$ dB @ 20 Hz to 20 kHz, -20 dBFS. Each output level (x4) shall be individually controllable by the VADIS software. Power for the V2324 shall be provided by (1) Atlas PS24-75 (or approved equivalent) 24VDC PSU. Audio output to the V2324 shall be via (x4) XLR male connectors. AMS buss I/O connection shall be via RJ45 to 4-pole phoenix adaptor (included with unit). A system status LED shall be provided to show communication condition. Dimensions shall be: 5.2" (132.1mm) D x 1.62" (41.2mm) H, 8.27" (210mm) W. Weight shall be 1.43 lbs (600g)

Technology by KLOTZ DIGITAL

Specifications subject to change without notice



1601 JACK MCKAY BLVD. / ENNIS, TEXAS 75119 U.S.A.
TELEPHONE: (800) 876-3333 / FAX (800) 765-3435

AtlasSound.com

Specification

V 2324 and V 2324/1

Output channels	4
Connectors	
Front	<ul style="list-style-type: none">• 4 x XLR panel connector 3-pin, male for the connection of external equipment
Back	<ul style="list-style-type: none">• 2 x Phoenix multipoint panel connector 4-pin, male, type MSTB 2,5/4-G-5.08 for the installation of an adapter• Phoenix multipoint panel connector, 3-pin, male, type MSTB 2,5/4-GF-5.08 for the installation of an external PSU
Status LED	Status LED, green, to indicate the following states: <ul style="list-style-type: none">• The LED blinks if the supply voltage is OK and the PLL is locked.• The LED lights if the supply voltage is OK but the PLL is not locked.• The LED remains unlighted if:<ul style="list-style-type: none">- The module does not receive any supply voltage- The LED indication is deactivated in the software
Supply voltage	18 - 24 V, provided by an external PSU
Power consumption	4.5 W typ.
Sample frequency	48 kHz typ., locked to VADIS I/O
Resolution	16/24 Bit, selectable via the software
Output voltage	+24 dBu typ. @ 0 dBFS, balanced to ground
Output impedance	30 Ω typ. balanced to ground
Output voltage range	0 - +24 dBu typ. @ 0 dBFS, balanced to ground
Output voltage setting steps	0.5 dB
Frequency response	$\leq \pm 0.2$ dB @ 20 Hz - 20 kHz, -20 dBFS
Level deviation	≤ 0.1 dB typ. @ 1 kHz
Dynamic range	≥ 93 dB @ 24 dBu, 20 Hz - 20 kHz, RMS
THD + N	≤ -90 dB @ 24 dBu, 1 kHz, RMS
Crosstalk	≤ -100 dB typ. @ 20 Hz - 20 kHz
Termination	Integrated 100 Ω termination @ the AMS input and output NOTE! The 90 Ω AMS bus input and output termination for the J-Y(ST)Y cabling variant is located on the PCB of the appropriate adapter.
Ambient temperature limits	0° C min., 50° C max. for the operation of the device
Dimensions	Without adapter Depth: 132.1 mm / 5.2" Height: 41.2 mm / 1.62" Width: 210 mm / 8.27"
Weight	650 grams typical without adapter

Specifications subject to change without notice



1601 JACK MCKAY BLVD. / ENNIS, TEXAS 75119 U.S.A.
TELEPHONE: (800) 876-3333 / FAX (800) 765-3435

AtlasSound.com



AMS ANALOG OUTPUT MODULE 4-CH (CONTINUED)..

V2324

V 2324 - Adapter for the CAT5 cabling variant (included).

The adapter for CAT5 cabling consists of a printed circuit board equipped with the following connectors:

1. 2 x Phoenix 4-pin multipoint connector, female, type IC 2,5/4-G-5,08, 4-pin, counterparts to the adapter connectors of the V 2324
2. 2 x RJ45 connector 8-pin, female for AMS bus input and output

V 2324/1 - Adapter for the J-Y(ST)Y cabling variant (included).

The adapter for J-Y(ST)Y cabling consists of a printed circuit board equipped with the following connectors:

1. 2 x Phoenix 4-pin multipoint connector, female, type IC 2,5/4-G-5,08, 4-pin, counterparts to the adapter connectors of the V 2324/1
2. 2 x 5-pin screw terminals for AMS bus input and output

NOTE!

The adapter for the J-Y(ST)Y cabling variant includes an AMS bus input and output termination of 90 Ω.

Pin configuration

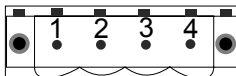
XLR panel connectors 3-pin male

Pin	Signal
1	Shield
2	Positive
3	Negative



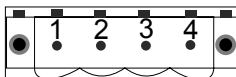
Multipoint panel connector 4-pin male, AMS bus input

Pin	Signal
1	TX+
2	TX-
3	RX-
4	RX+



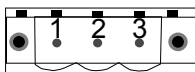
Multipoint panel connector 4-pin male, AMS bus output

Pin	Signal
1	RX+
2	RX-
3	TX-
4	TX+



Multipoint panel connector 3-pin male for an external 24 VDC PSU

Pin	Signal
1	Chassis
2	24 VDC
3	GND



Technology by KLOTZ
DIGITAL

Specifications subject to change without notice



1601 JACK MCKAY BLVD. / ENNIS, TEXAS 75119 U.S.A.
TELEPHONE: (800) 876-3333 / FAX (800) 765-3435

AtlasSound.com

Front View

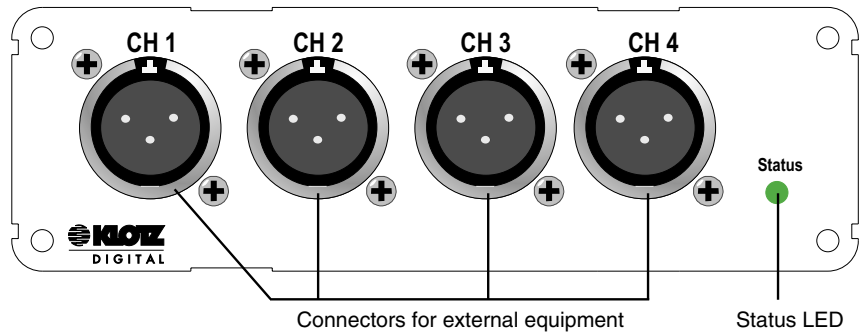


Figure 2: Front view of AMS 4-CH analog output module with connectors for external equipment and status LED

Rear View

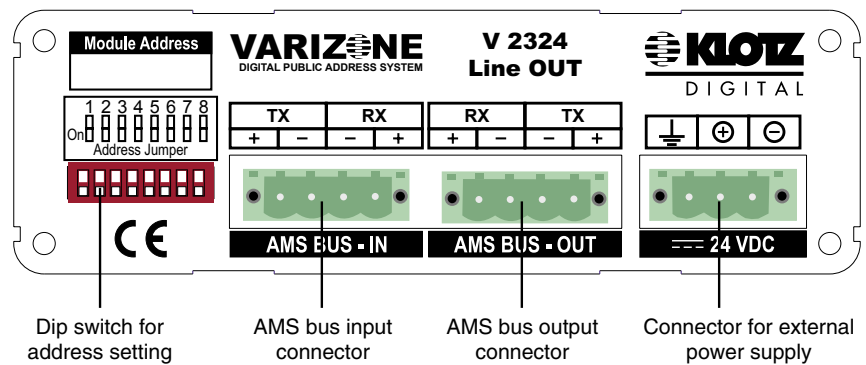


Figure 3: Rear view of AMS 4-CH analog output module V 2324 with dip switch for address setting. AMS input and output connectors and external power supply connector

Specifications subject to change without notice



1601 JACK MCKAY BLVD. / ENNIS, TEXAS 75119 U.S.A.
 TELEPHONE: (800) 876-3333 / FAX (800) 765-3435

AtlasSound.com