



LINE INTERFACE 1000 W/48 V

V2305

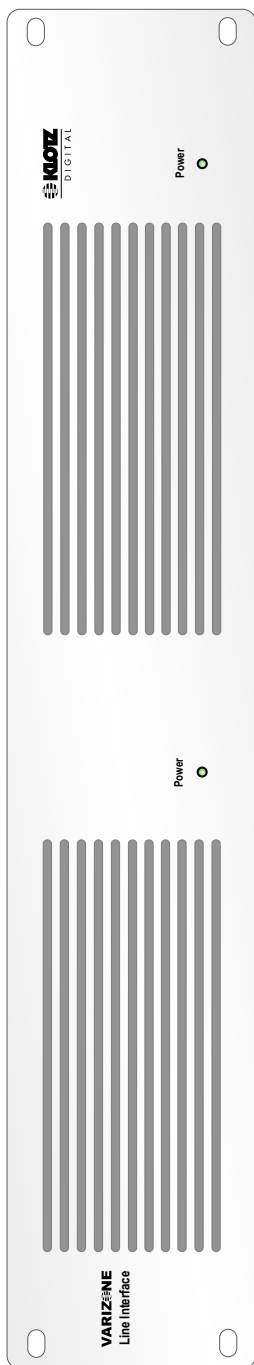


Figure 1: V 2305 line interface 1000 W/48 V

Description

The V 2305 serves as an interface between the VADIS system and the AMS audio media system (AMS) / digital speaker system (DSS) bus. The 1000 W line interface has the following functions:

- Adding of power to the audio and control data coming from the VADIS frame
- Distribution of the extended audio and control data to the AMS/DSS busses. The maximum range of the line interface is 200 m / 660 ft*. After a maximum of 200 m / 660 ft* the data must be refreshed for further transfer on the AMS/DSS bus.

The AMS/DSS bus installation of the 1000 W line interface is carried out with CAT5 cables.

Version	Cable	Connector
V 2305 1000 W line interface 48 V	CAT5	RJ45 connectors

Main features

- VARIZONE AMS and DSS bus device
- 1000 W total output power
- 125 W / 48 V output power per AMS/DSS bus
- 19" rack mount housing
- 8 AMS/DSS bus connectors, RJ45 connectors or screw terminals as listed in the table
- 8 RJ45 connectors for the connection to the VADIS AMS/DSS bus I/O cards
- 2 PSU status LEDs
- Self-resetting fuse for each AMS/DSS bus
- Monitoring of the PSUs via the control management software

SIX

Technology by KLOTZ DIGITAL

Specifications subject to change without notice



1601 JACK MCKAY BLVD. / ENNIS, TEXAS 75119 U.S.A.
TELEPHONE: (800) 876-3333 / FAX (800) 765-3435

AtlasSound.com

FB25

Specification

V 2305

Connectors

- 8 x 8-pin RJ45 panel connector, female, for the connection of the line interface to the AMS/DSS bus I/O cards V 2100 and V 2300

NOTE!

For termination reasons the CAT5 connection cable between the line interface and the AMS/DSS bus I/O card must not be longer than 2 m / 6 ft.

- 2 x 3-pin power panel connector, male, for the connection of the PSUs to the power supply system
- 8 x 8-pin RJ45 connector, female, for AMS/DSS bus connection

PSUs

2 independent PSUs, each of them providing 4 AMS/busses with power

DSS

PSU status LEDs

2 status LEDs, green, for PSU status indication; The lights if the secondary voltage is OK. The LED remains unlighted if the secondary voltage is not OK. The left LED indicates the status of the left PSU. The right LED indicates the status of the right PSU.

LED

Input AC voltage range

90 V min., 264 V max.

Input AC voltage frequency

47 Hz min., 63 Hz max.

Input current

3 A min., 9 A max. per PSU @ max. output power

Output DC voltage

48 V typ.

Output power

125 W typ. for each AMS/DSS bus output

Ambient temperature limits

0° C min., 40° C max. for the operation of the line interface

Meantime between failure (MTBF)

29.9 k hours typ. @ 40° C ambient temperature, calculated on the basis of the data sheet values of the components or according to MIL 217F

Dimensions

Depth: 449 mm / 17.68"

Height: 88 mm / 3.46"

Width: 483 mm / 19"

Weight

9.5 kilograms typically

A&E Specs

The specified line interface shall be the Atlas Sound VARIZONE model V2305.

The unit shall provide an interface between VADIS AMS and DSS output cards and their respective busses.

The line interface shall provide power to the audio and control data originating at the VADIS frame. Unit shall include (2) internal PSU's each capable of providing 125 watts at 48VDC via 4 ports (8 ports total). Interconnect from the VADIS frame to the line interface input as well as the output from the line interface to the buss line(s) shall be via RJ 45 connectors terminated to CAT5 cable. Unit shall be capable of driving a minimum of 5 V2250 / V2251 PAM / Docking station assemblies at maximum output power (25 watts) with cable connection(s) extending up to a total of 660' (200m).

Unit shall include (2) front mounted PSU status LED's.

Unit shall include an internal, self-resetting fuse for each buss I/O.

Dimensions 19"(483mm) Wide x 2RU High (3.46" / 88mm) x 17.68" (449 mm) deep (less connectors). Weight 15lb (9.5kg)

Specifications subject to change without notice



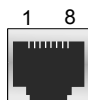
1601 JACK MCKAY BLVD. / ENNIS, TEXAS 75119 U.S.A.
TELEPHONE: (800) 876-3333 / FAX (800) 765-3435

AtlasSound.com



LINE INTERFACE 1000 W /48 V (CONTINUED)...

V2305



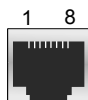
Pin configuration

V 2305

RJ45 connector 8-pin, female for the connection between the line interface and the VADIS AMS/DSS bus I/O cards

Pin	Signal
1	RX+*
2	RX-*
3	TX+*
4	Power Good 1 (GND)
5	Power Good 2 (GND)
6	TX-*
7	Power Good 1 (48 V)
8	Power Good 2 (48 V)

* Referring to the line interface



RJ45 connector 8-pin, female for the connection between the line interface and the AMS/DSS bus

Pin	Signal
1	TX+ (GND)*
2	TX- (GND)*
3	RX+ (48 V)*
4	TX- (GND)*
5	TX+ (GND)*
6	RX- (48 V)*
7	RX+ (48 V)*
8	RX- (48 V)*

* Referring to the line interface

Technology by KLOTZ DIGITAL

Specifications subject to change without notice



1601 JACK MCKAY BLVD. / ENNIS, TEXAS 75119 U.S.A.
TELEPHONE: (800) 876-3333 / FAX (800) 765-3435

AtlasSound.com

Front view

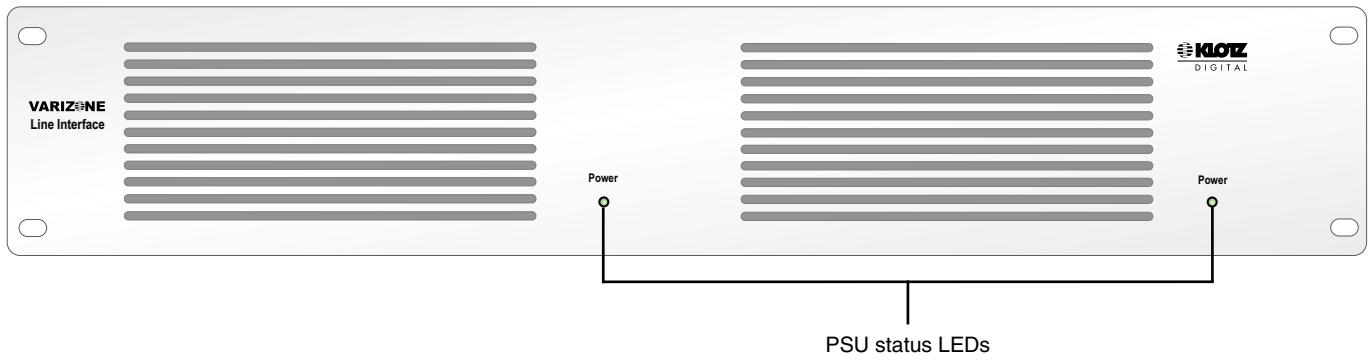


Figure 2: Front view of line interface V 2305 with PSU status LEDs

Rear view

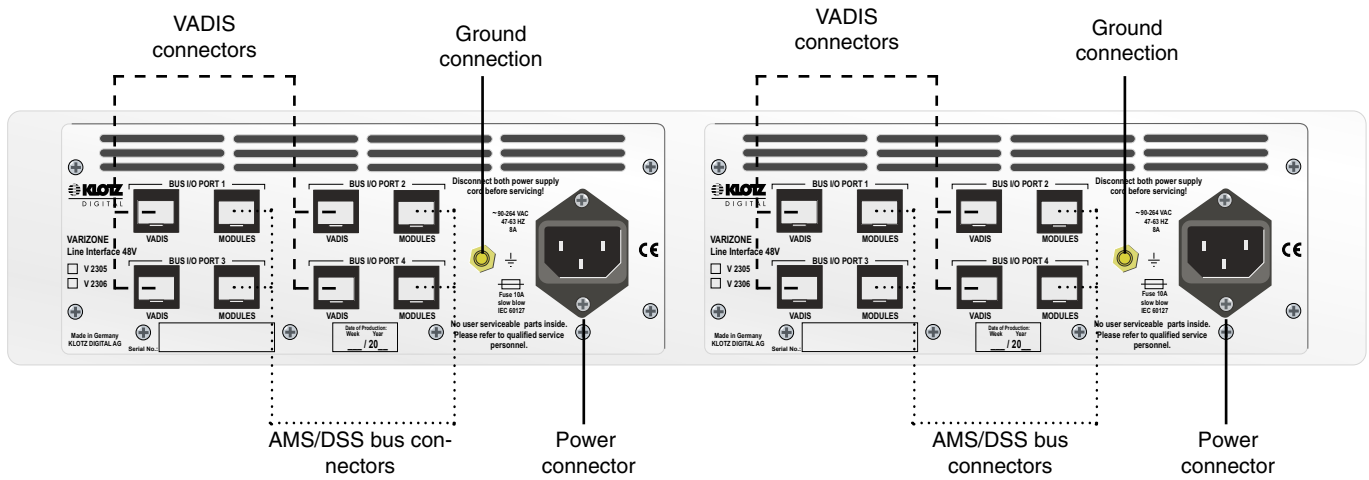


Figure 3: Rear view of line interface V 2305 with VADIS connectors, AMS/DSS bus connectors, power connectors and ground connection

Specifications subject to change without notice



1601 JACK MCKAY BLVD. / ENNIS, TEXAS 75119 U.S.A.
 TELEPHONE: (800) 876-3333 / FAX (800) 765-3435

AtlasSound.com